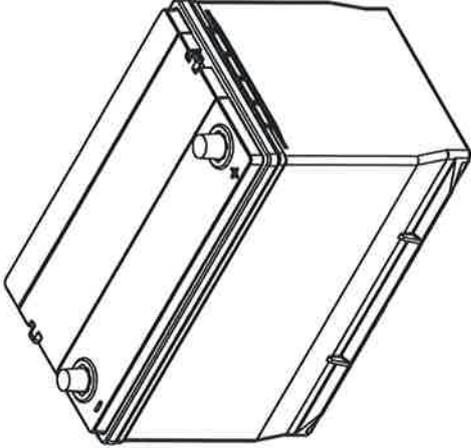
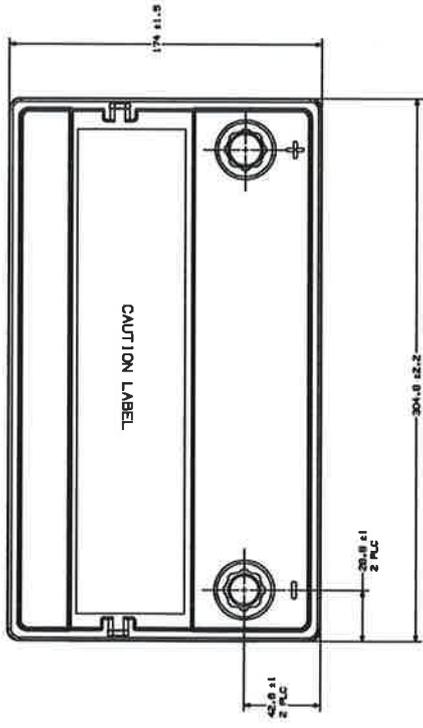


REV. NO.	DATE	BY	DESCRIPTION

TOP VIEW DIMENSIONS ARE FROM EDGE OF COVER



上海 JCI 工程部 核准章
 日期 2016.3.21
 批准 日期 3/21/2016

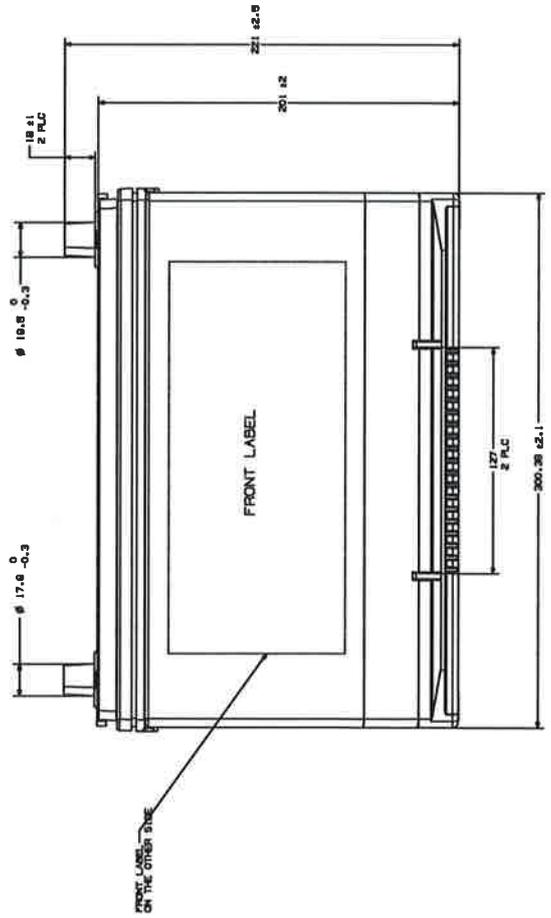
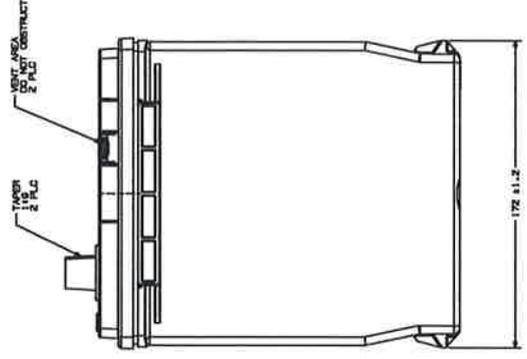
APPLICATION DATA

CAT. NO. 6-08-8016001-L VOLTS 12

GROUP SIZE BC1 JIS D31 EN

PERFORMANCE RATINGS:
 RESERVE CAPACITY AT 27 °C 1 MINUTES 5.6-7.9 (IN-ml)
 COLD CRANKING AMPERES AT -18° C 15.0-20.0 (IN-amp)
 20 HOUR RATE: AMP HR 2.1-3.3 (IN-ah)

RECOMMENDED MAXIMUM CHARGING OR OPERATING TEMPERATURE 52 °C



UNLESS OTHERWISE SPECIFIED
 ALL DIMENSIONS ARE IN MILLIMETERS
 DIMENSIONS IN PARENTHESES ARE IN INCHES
 DIMENSIONS IN SQUARES ARE IN SQUARE MILLIMETERS
 DIMENSIONS IN CIRCLES ARE IN CIRCULAR MILLIMETERS
 DIMENSIONS IN BRACKETS ARE IN BRACKET MILLIMETERS
 DIMENSIONS IN DASHES ARE IN DASH MILLIMETERS
 DIMENSIONS IN SLASHES ARE IN SLASH MILLIMETERS
 DIMENSIONS IN UNDERSCORES ARE IN UNDERSCORE MILLIMETERS
 DIMENSIONS IN TILDES ARE IN TILDE MILLIMETERS
 DIMENSIONS IN CARETS ARE IN CARET MILLIMETERS
 DIMENSIONS IN PERCENTS ARE IN PERCENT MILLIMETERS
 DIMENSIONS IN DOLLARS ARE IN DOLLAR MILLIMETERS
 DIMENSIONS IN POUNDS ARE IN POUND MILLIMETERS
 DIMENSIONS IN OUNCES ARE IN OUNCE MILLIMETERS
 DIMENSIONS IN FEET ARE IN FOOT MILLIMETERS
 DIMENSIONS IN METERS ARE IN METER MILLIMETERS
 DIMENSIONS IN KILOGRAMS ARE IN KILOGRAM MILLIMETERS
 DIMENSIONS IN KILOBYTES ARE IN KILOBYTE MILLIMETERS
 DIMENSIONS IN MEGABYTES ARE IN MEGABYTE MILLIMETERS
 DIMENSIONS IN GIGABYTES ARE IN GIGABYTE MILLIMETERS
 DIMENSIONS IN TERABYTES ARE IN TERABYTE MILLIMETERS
 DIMENSIONS IN PETABYTES ARE IN PETABYTE MILLIMETERS
 DIMENSIONS IN EXABYTES ARE IN EXABYTE MILLIMETERS
 DIMENSIONS IN ZETTABYTES ARE IN ZETTABYTE MILLIMETERS
 DIMENSIONS IN YOTTABYTES ARE IN YOTTABYTE MILLIMETERS

JOHNSON CONTROLS
 30033632
 031 PW OUTLINE